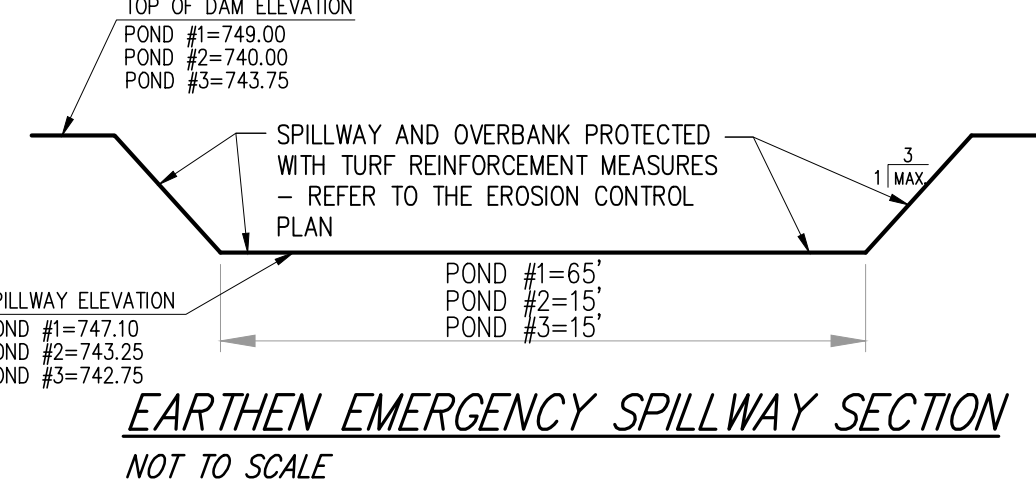
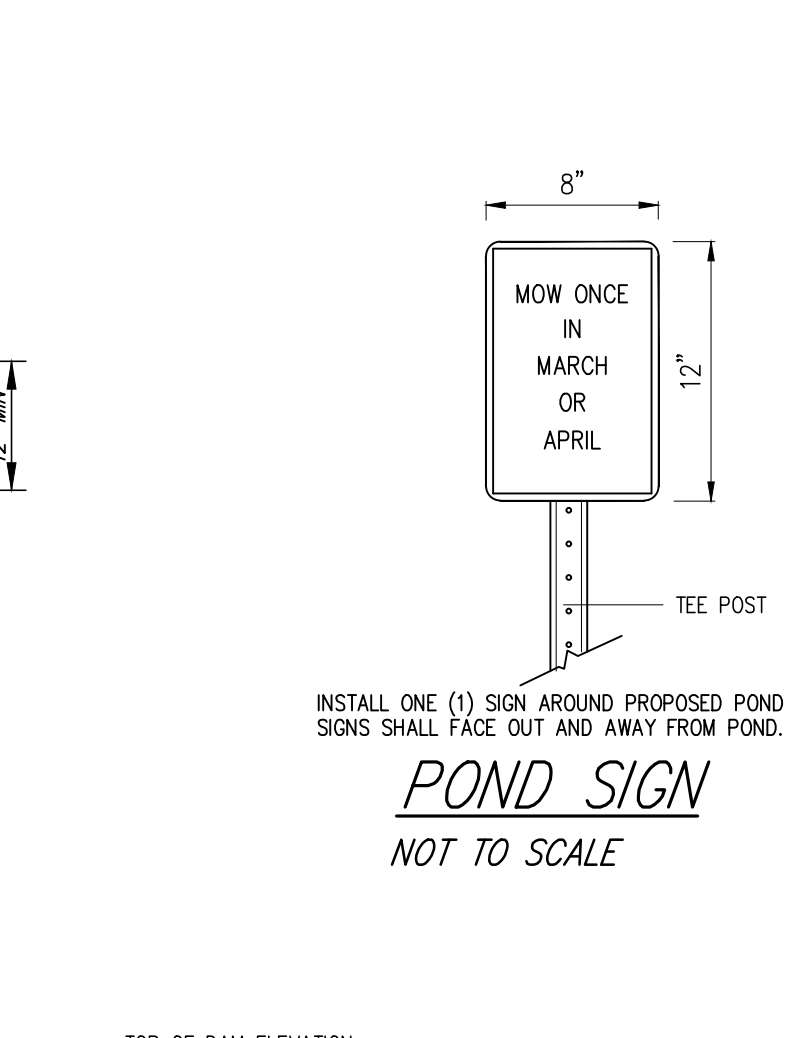
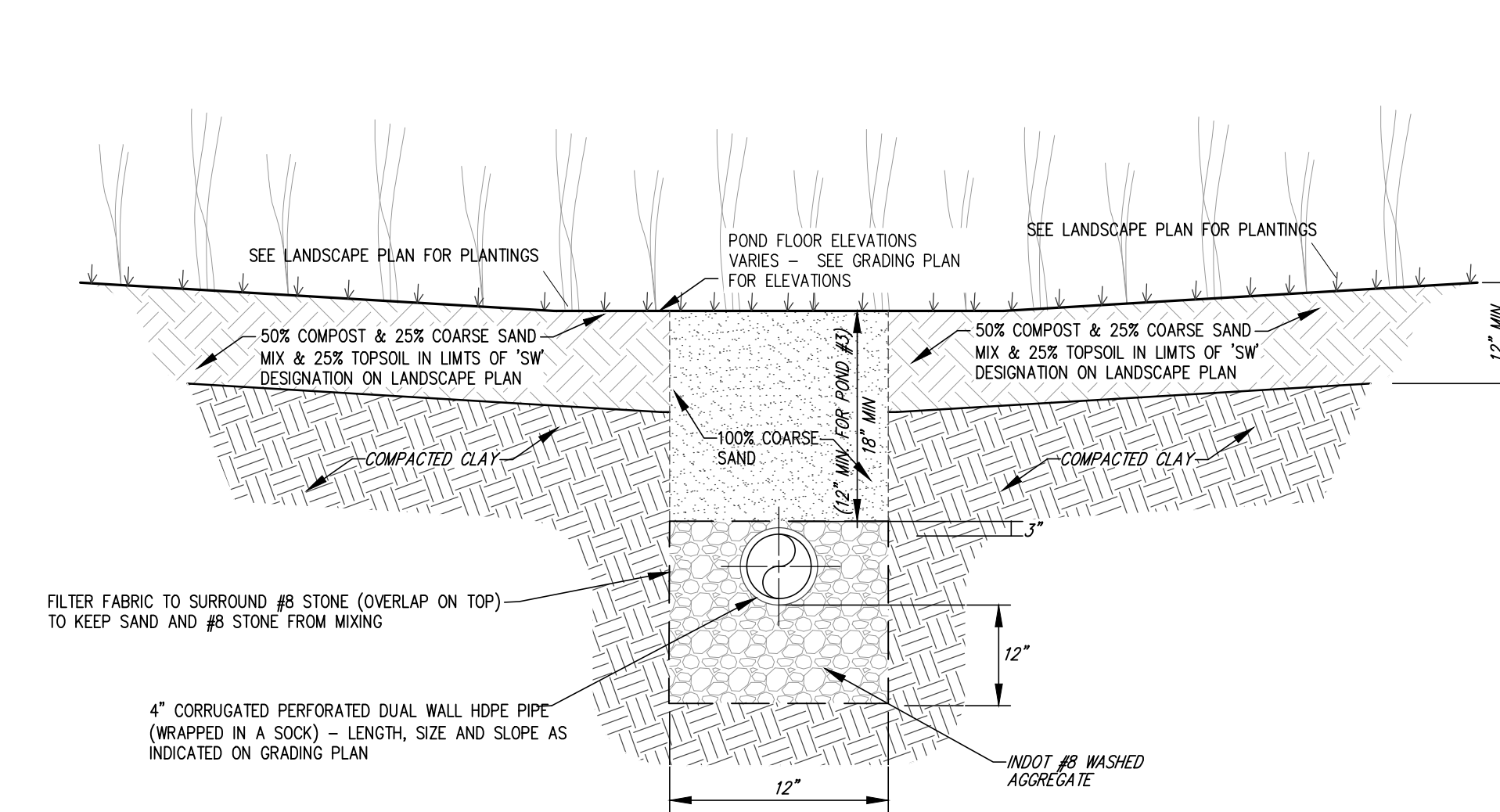


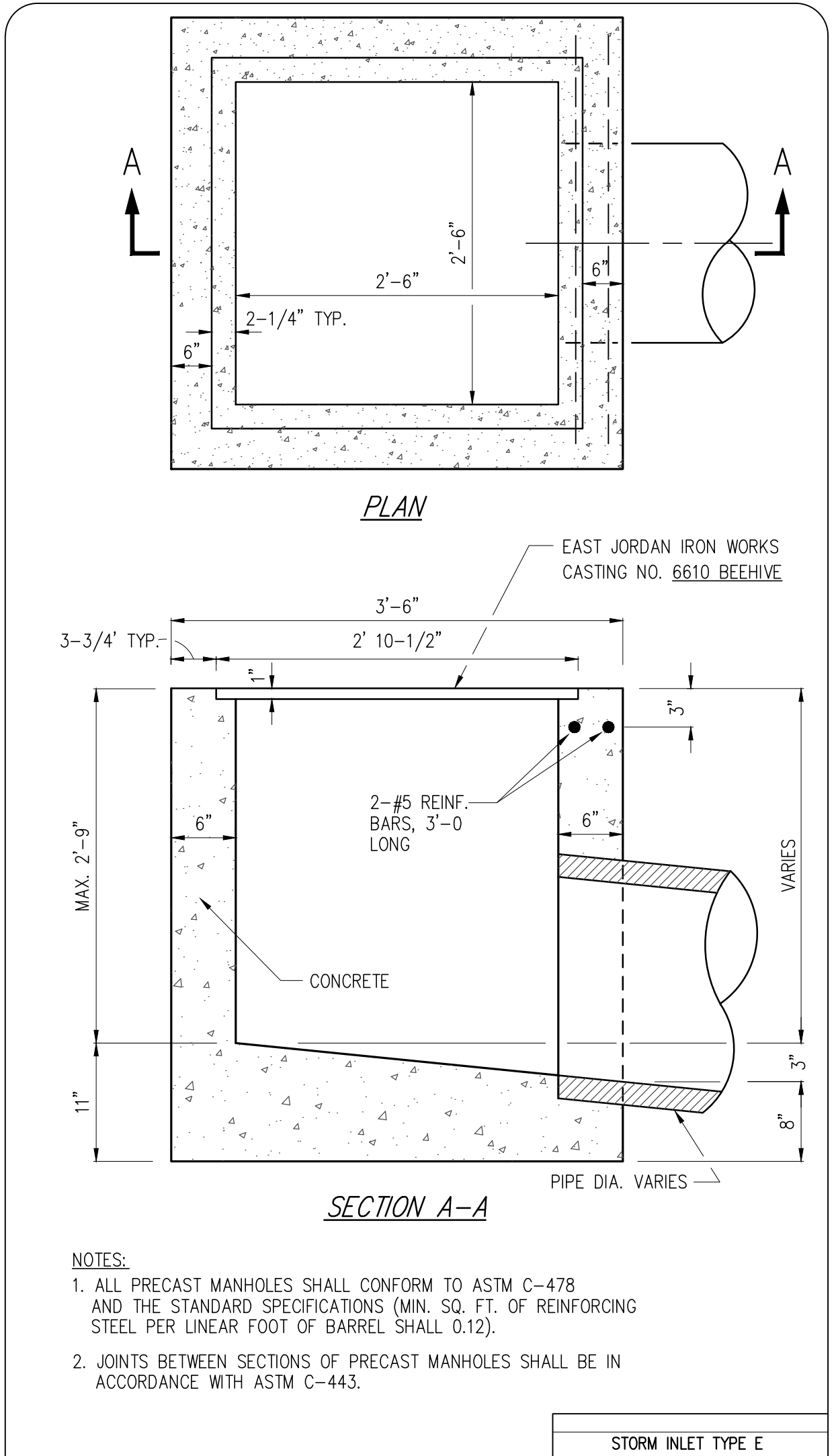
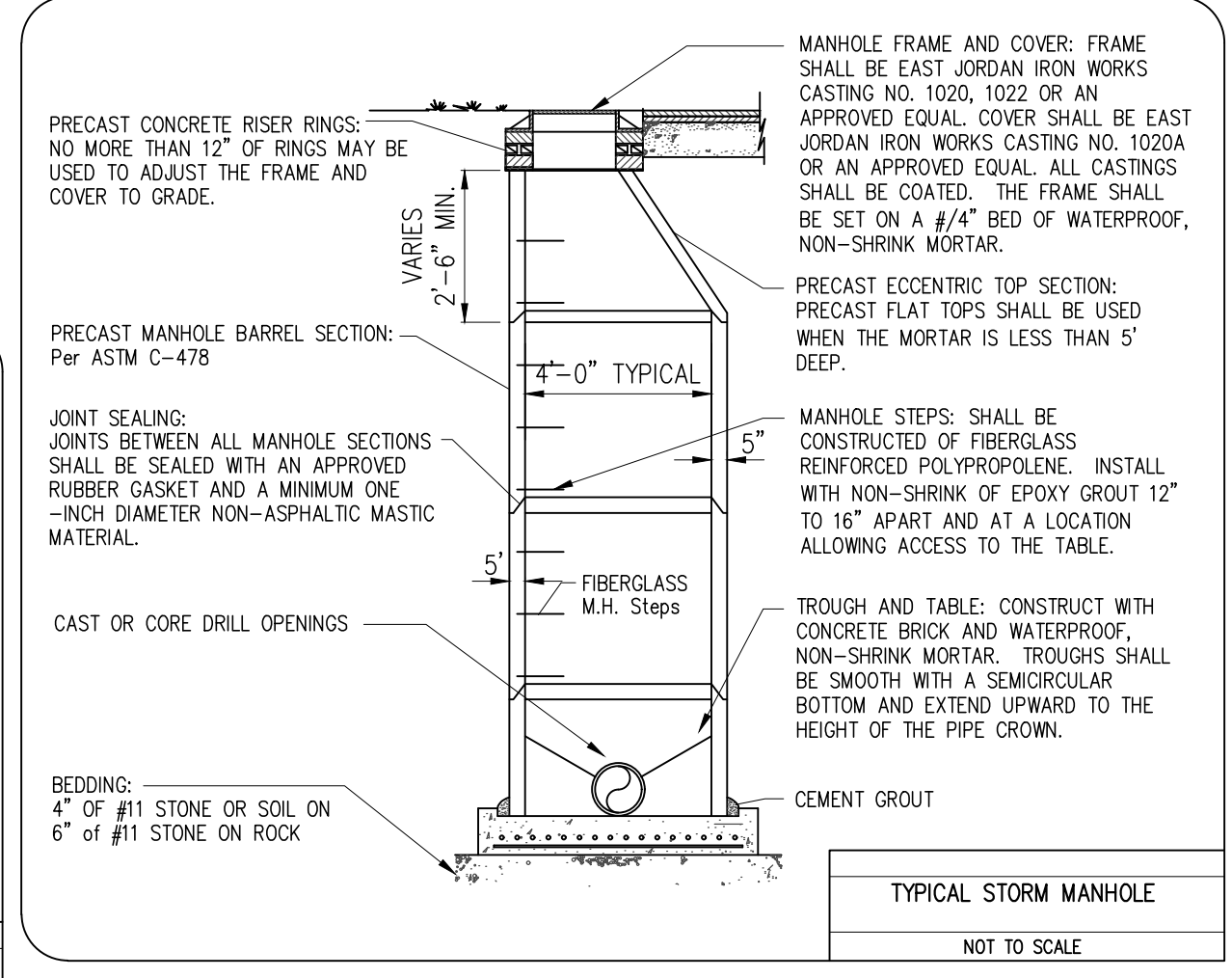
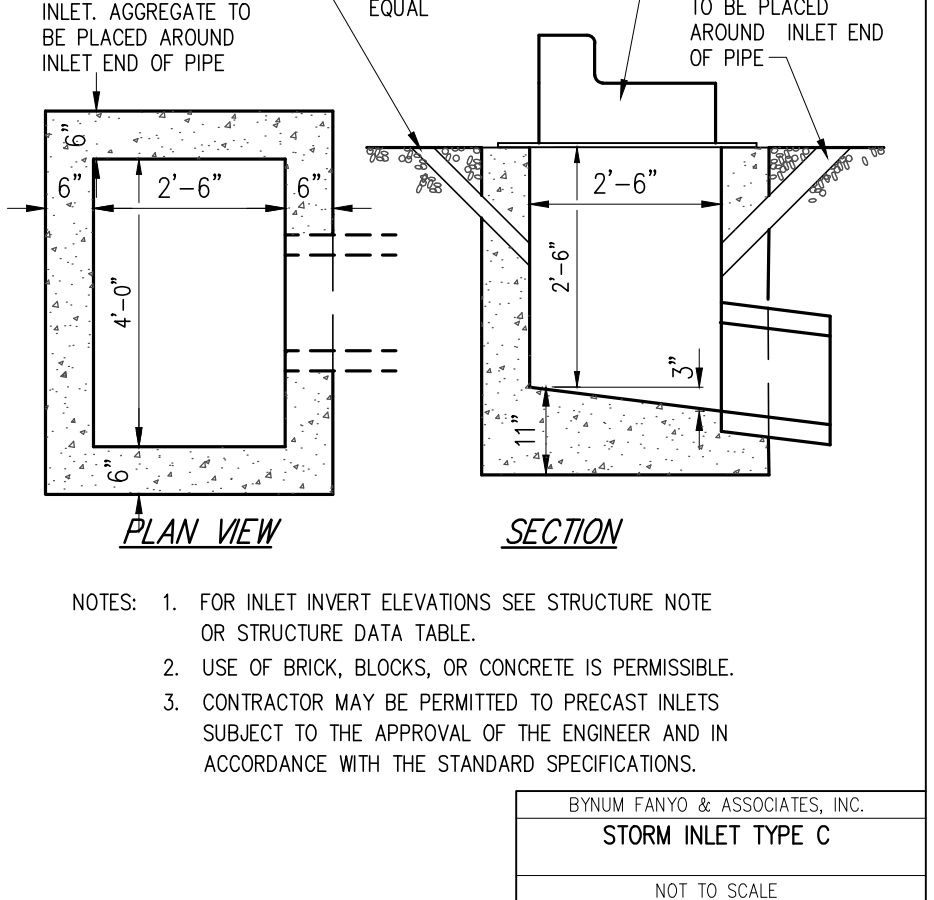
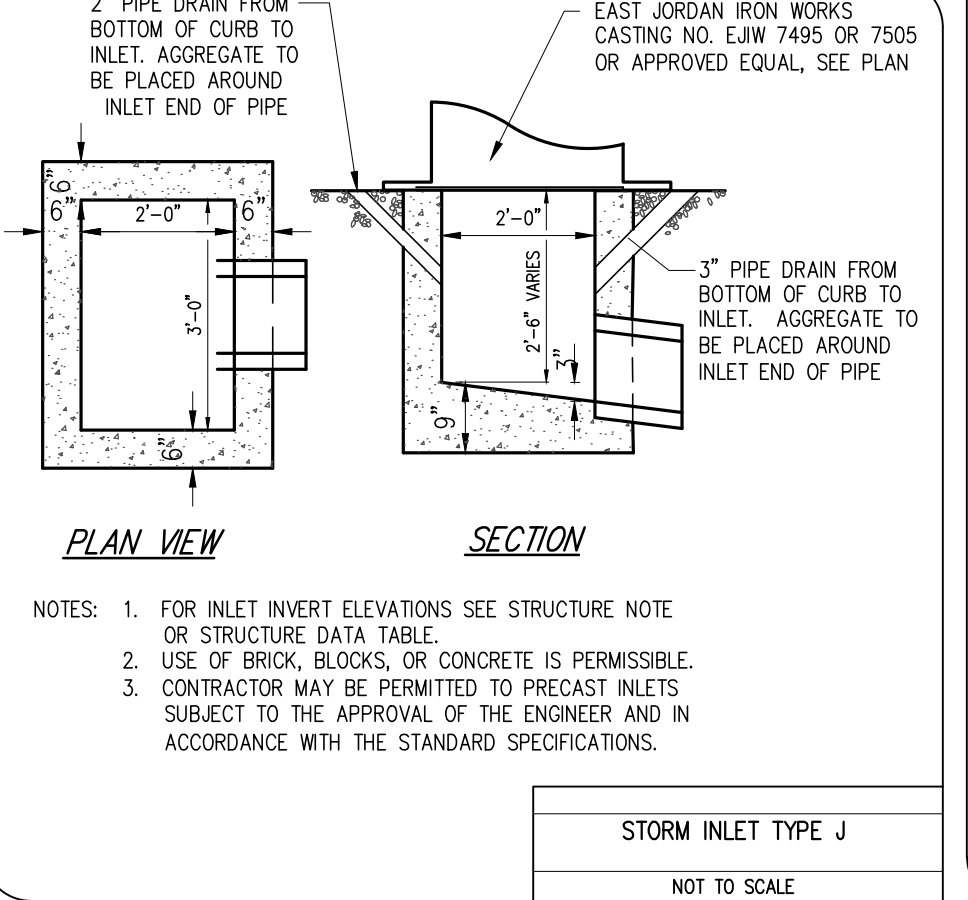
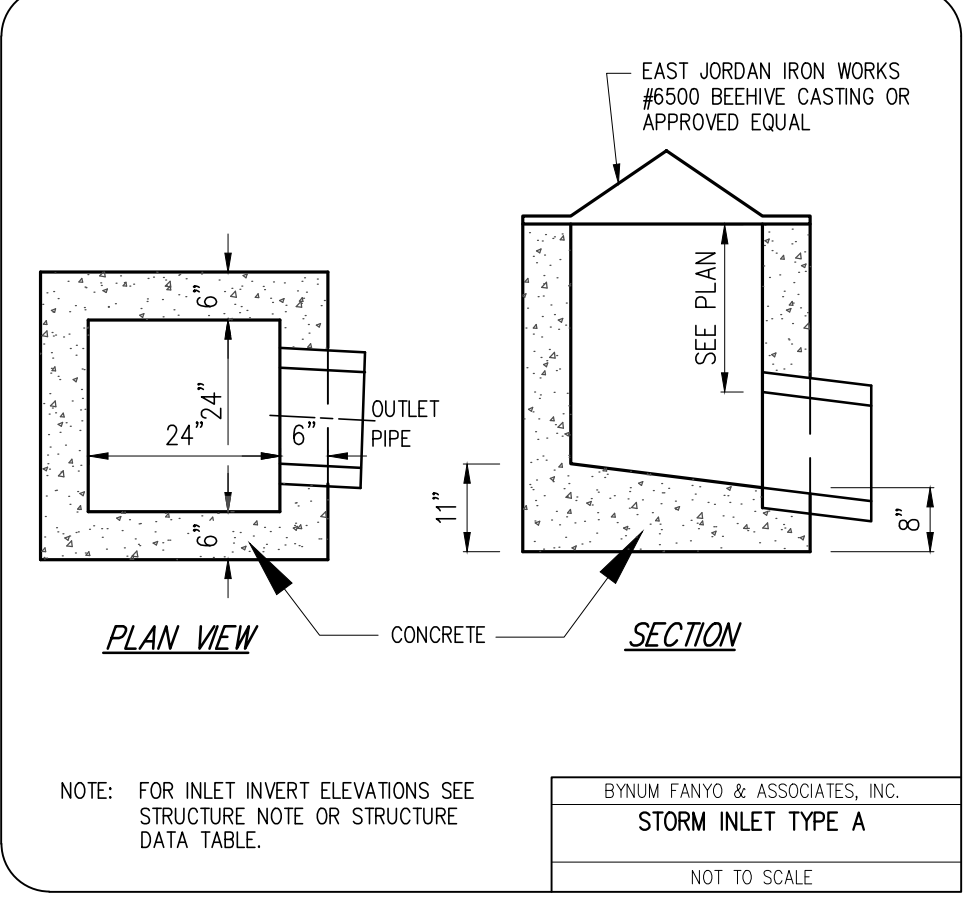
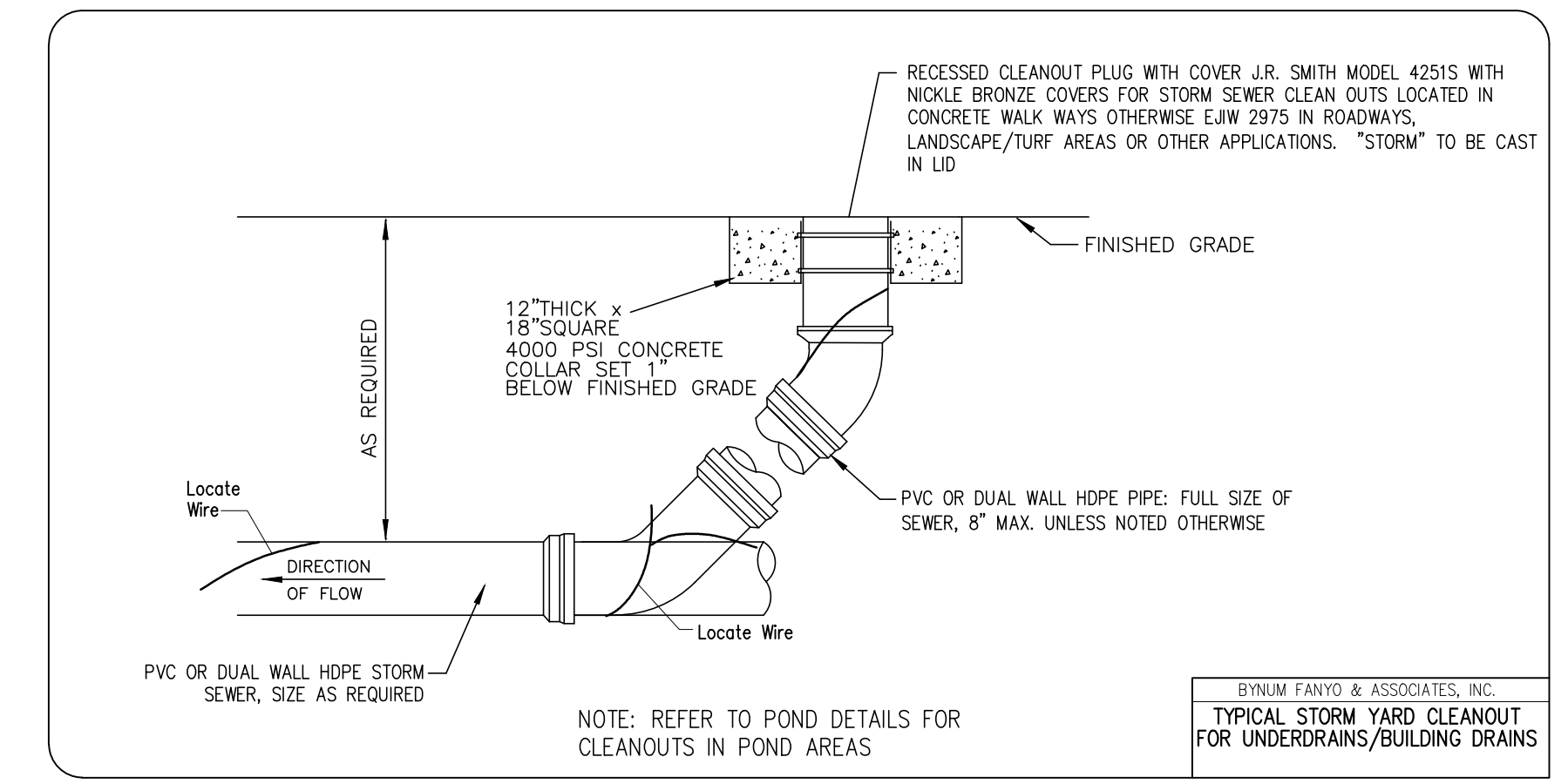
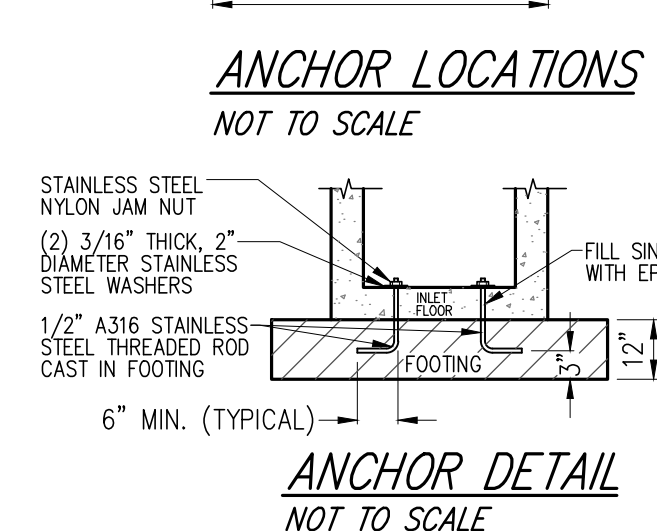
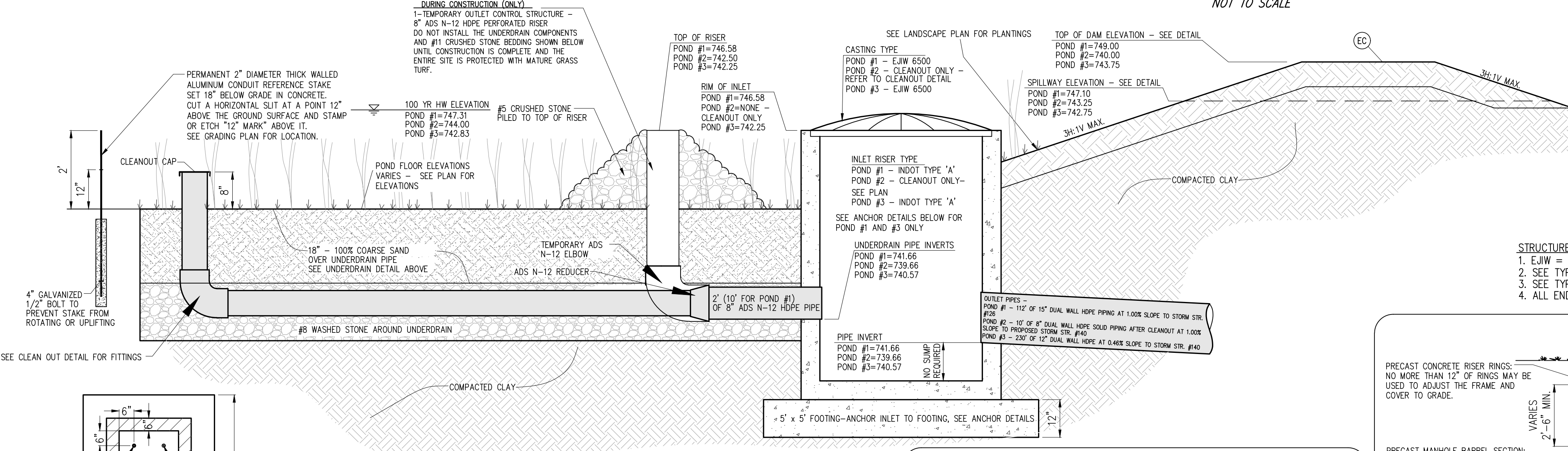
UD TYPICAL BIO-SWLE/WATER QUALITY POND UNDERDRAIN SYSTEM
NOT TO SCALE



STRUCTURE DATA TABLE											
STR. NO.	STATION	CASTING-INLET	TOP/CASTING @ FLOWLINE	PIPE TYPE	PIPE LENGTH (FT)	PIPE SIZE (IN)	INVERT (NORTH)	INVERT (SOUTH)	INVERT (EAST)	INVERT (WEST)	COMMENTS
101	-----	NYLOPLAST 12" DOME GRATE/12" HDPE RISER WITH 90° FITTING	770.25	HDPE DUAL WALL TYPE 'S'	36	12	---	767.75(SW)	---	---	
102	21+06.00 "RANGEVIEW"	EJW 7495 / TYPE J	773.66	HDPE DUAL WALL TYPE 'S'	40	12	767.39	767.39	---	---	
103	-----	EJW 7505 / TYPE J	774.50	HDPE DUAL WALL TYPE 'S'	16	12	---	---	771.50	---	
104	-----	EJW 7505 / TYPE J	774.25	HDPE DUAL WALL TYPE 'S'	138	12	766.99	---	766.99	771.34	
105	-----	NYLOPLAST 12" DOME GRATE/12" HDPE RISER WITH 90° FITTING	762.50	HDPE DUAL WALL TYPE 'S'	34	12	---	760.00(SW)	---	---	
106	19+51.00 "RANGEVIEW"	EJW 7495 / TYPE J	764.50	HDPE DUAL WALL TYPE 'S'	36	12	759.66(NE)	759.66(SW)	---	---	
107	19+66.00 "RANGEVIEW"	EJW 7495 / TYPE J	765.50	HDPE DUAL WALL TYPE 'S'	112	15	759.30(NE)	---	759.30(SE)	761.47	
108	18+37.00 "RANGEVIEW"	EJW 7495 / TYPE J	758.66	HDPE DUAL WALL TYPE 'S'	40	12	---	756.16 (SW)	---	---	
109	18+37.00 "RANGEVIEW"	EJW 7495 / TYPE J	758.50	HDPE DUAL WALL TYPE 'S'	154	15	755.76(NW)	752.76	755.76(NE)	---	
110	16+66.00 "RANGEVIEW"	EJW 7495 / TYPE J	750.57	HDPE DUAL WALL TYPE 'S'	32	12	---	---	---	748.07	
111	-----	NYLOPLAST 12" DOME GRATE/12" HDPE RISER WITH 90° FITTING	750.50	HDPE DUAL WALL TYPE 'S'	14	12	---	---	747.50	---	
112	16+66.00 "RANGEVIEW"	EJW 7495 / TYPE J	750.33	HDPE DUAL WALL TYPE 'S'	134	15	747.37	745.37	747.37	747.37	
113	15+18.00 "RANGEVIEW"	DOUBLE INLET 2 - EJW 7495 / TYPE J	746.76	HDPE DUAL WALL TYPE 'S'	34	15	744.00(NW)	---	---	---	
114	15+18.00 "RANGEVIEW"	DOUBLE INLET 2 - EJW 7495 / TYPE J	746.76	HDPE DUAL WALL TYPE 'S'	30	15	743.69	743.69(SE)	---	743.69	END SECTION W/ 20 SYS OF 18" RIP-RAP ON FILTER FABRIC. OUTFALL INVERT=743.50
115	-----	EJW 6500 / TYPE A	SEE DETAILS	HDPE DUAL WALL TYPE 'S'	112	15	741.66(4*)	741.66(SW)	---	---	
116	-----	NYLOPLAST 12" DOME GRATE/12" HDPE RISER WITH 90° FITTING	767.50	HDPE DUAL WALL TYPE 'S'	60	12	---	---	765.00	---	
117	-----	EJW 7505 / TYPE J	769.00	HDPE DUAL WALL TYPE 'S'	18	12	---	766.50	---	---	
118	-----	EJW 7505 / TYPE J	769.00	HDPE DUAL WALL TYPE 'S'	164	12	766.32	764.50	---	764.50	
119	-----	EJW 7495 / TYPE C	759.70	HDPE DUAL WALL TYPE 'S'	122	15	---	---	---	756.95	
120	-----	EJW 7495 / TYPE C	759.70	HDPE DUAL WALL TYPE 'S'	44	15	755.98	752.98(SW)	755.73	---	
121	-----	NYLOPLAST 12" DOME GRATE/12" HDPE RISER WITH 90° FITTING	756.50	HDPE DUAL WALL TYPE 'S'	54	12	---	754.00(SE)	---	---	
122	11+81.00 "RANGEVIEW"	EJW 7495 / TYPE J	755.33	HDPE DUAL WALL TYPE 'S'	32	12	752.83(NE)	---	---	---	
123	11+81.00 "RANGEVIEW"	EJW 7495 / TYPE J	755.15	HDPE DUAL WALL TYPE 'S'	148	15	752.10(NW)	752.10(SE)	752.10(NE)	752.10(SW)	
124	13+41.00 "RANGEVIEW"	EJW 7495 / TYPE J	750.75	HDPE DUAL WALL TYPE 'S'	32	12	748.25	---	---	---	
125	13+41.00 "RANGEVIEW"	EJW 7495 / TYPE J	750.66	HDPE DUAL WALL TYPE 'S'	34	15	746.36(NE)	747.36	---	747.36(NW)	END SECTION W/ 20 SYS OF CLASS 2 RIP-RAP ON FILTER FABRIC. OUTFALL INVERT=743.41. CONTRACTOR TO CONNECT TO EXISTING STORM STR. #139 BY CORE DRILL AT 739.41. SEAL CONNECTIONS WATER TIGHT WITH NON-SHRINK GROUT
126	-----	EJW 1020 TYPE 'A' SOLID / STORM MANHOLE	751.00	HDPE DUAL WALL TYPE 'S'	113	15	740.54(NE)	740.54	---	---	
127	7+74.00 "WICKENS"	EJW 7505 / TYPE J	782.55	HDPE DUAL WALL TYPE 'S'	30	12	---	---	779.55	---	
128	-----	EJW 6610 BEEHIVE / TYPE E	777.50	HDPE DUAL WALL TYPE 'S'	38	12	---	---	---	775.00	
129	7+74.00 "WICKENS"	EJW 7505 / TYPE J	782.55	HDPE DUAL WALL TYPE 'S'	160	12	---	774.62(SE)	774.62	779.25	
130	6+12.50 "WICKENS"	EJW 7565 / TYPE C	774.33	HDPE DUAL WALL TYPE 'S'	26	15	---	---	771.08	---	
131	6+12.50 "WICKENS"	EJW 7565 / TYPE C	774.33	HDPE DUAL WALL TYPE 'S'	170	15	770.82	770.82	---	770.82	
132	4+42.00 "WICKENS"	EJW 7565 / TYPE C	761.05	HDPE DUAL WALL TYPE 'S'	26	15	---	---	757.80	---	
133	-----	EJW 6610 BEEHIVE / TYPE E	758.50	HDPE DUAL WALL TYPE 'S'	42	12	---	756.00(SW)	---	---	
134	4+42.00 "WICKENS"	EJW 7565 / TYPE C	761.05	HDPE DUAL WALL TYPE 'S'	134	15	757.54	755.58	755.58(NE)	757.54	
135	3+08.00 "WICKENS"	EJW 7565 / TYPE C	753.95	HDPE DUAL WALL TYPE 'S'	26	15	---	---	750.70	---	
136	3+08.00 "WICKENS"	EJW 7565 / TYPE C	753.95	HDPE DUAL WALL TYPE 'S'	192	15	750.44	750.44	---	750.44	
137	1+14.00 "WICKENS"	EJW 7565 / TYPE C	747.95	HDPE DUAL WALL TYPE 'S'	26	15	---	---	744.70	---	
138	1+14.00 "WICKENS"	EJW 7565 / TYPE C	747.95	HDPE DUAL WALL TYPE 'S'	44	15	744.44	---	744.44	744.44	END SECTION W/ 30 SYS OF CLASS 2 RIP-RAP ON FILTER FABRIC. OUTFALL INVERT=742.50
139	-----	EJW 6500 / TYPE A	SEE DETAILS	HDPE DUAL WALL TYPE 'S'	230	12	---	740.57(4*)	740.57	---	
140	-----	EJW 6610 BEEHIVE / TYPE E	743.00	HDPE DUAL WALL TYPE 'S'	12	15	739.50	739.50	739.50	739.56(8*)	CONTRACTOR TO CORE DRILL EXISTING STR. #141 AND CONNECT 15" PROPOSED PIPE FROM STR. #140 AT INVERT=739.41 TO MATCH EXISTING INLET AND OUTLET IN THIS STRUCTURE. SEAL ALL CONNECTIONS WATER TIGHT WITH NON-SHRINK GROUT

STRUCTURE DATA TABLE NOTES:
1. EJW = EAST JORDAN IRON WORKS TYPE CASTING OR APPROVED EQUAL
2. SEE TYPICAL DETAILS FOR RIP-RAP ON SHEET C602
3. SEE TYPICAL DETAILS ON THIS SHEET FOR INLET AND CASTING DETAILS
4. ALL END SECTIONS SHALL BE GALVANIZED METAL

TEMPORARY AND PERMANENT BIO SWALE/WATER QUALITY POND DETAIL
NOT TO SCALE



revisions:

ARCHITECTURE
CIVIL ENGINEERING
PLANNING

BYNUM FANTO & ASSOCIATES, INC.

Bloomington, Indiana
(812) 339-2990 (Fax)

528 north walnut street
(812) 332-8030

certified by:

Proposed:
HIGHLANDS SUBDIVISION PARCEL "E"
3201 S. Wickens Street
Bloomington Indiana

title: SITE DRAINAGE DETAILS

designed by: DJB
drawn by: JR
checked by: JSF
sheet no: C503
project no.: 400593